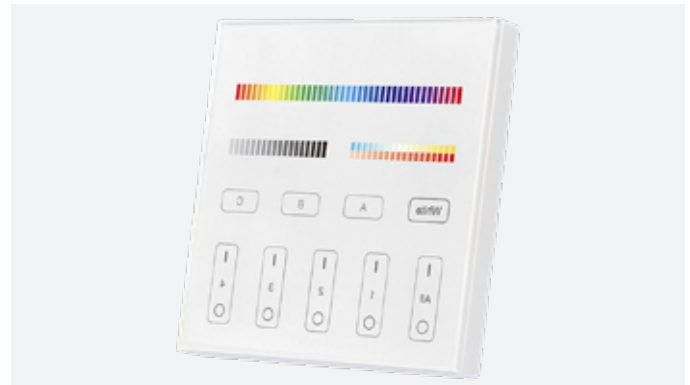


Control panel for embedding - 4 zones

Ref: 41.031

Features:

- It is capable of controlling 4 different zones.
- 2.4GHz high RF wireless control with long distance controlling.
- It supports ON/OFF, colour, colour temperature, saturation and brightness control.
- Touch control, touch sensitive.
- Compatible with receivers: 41.026 / 41.130 / 41.131



Technical characteristics

Technical data

Voltage	220V
Transmission Frequency	2.4GHz
Transmitting power	6dBm
Standby power	0.15W
Degree of protection	IP20
Zones	4
Speed mode +/-	Yes
Control type	Radiofrequency
"On"	Yes
"Off"	Yes
Memory	Yes

Services

Regulation	Monocolour - CCT - RGB - RGBW - RGBW+CCT
Power supply	100 - 220AC
Apt for	Indoor
Fixing	Recessed
Maximum distance of signal reception	30m (without obstacles)
Connection type	Common anode
Front panel	Tempered glass

Temperatures and operating conditions

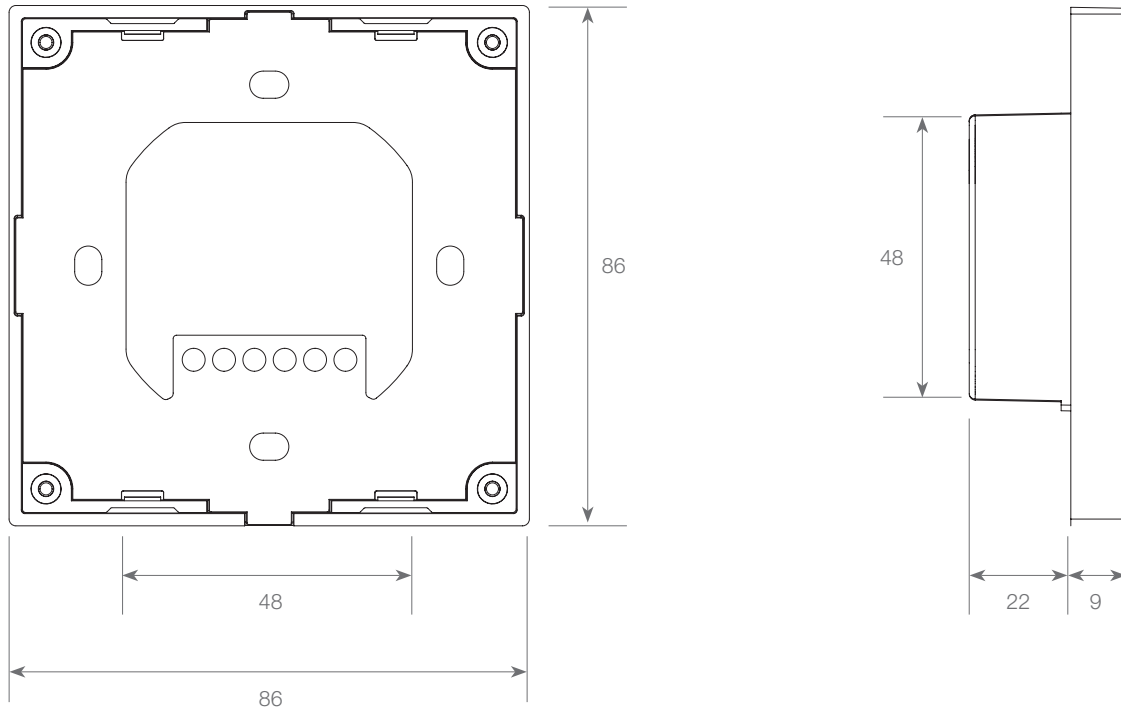
Working temperature	-10°C / 40°C
---------------------	--------------



Attention

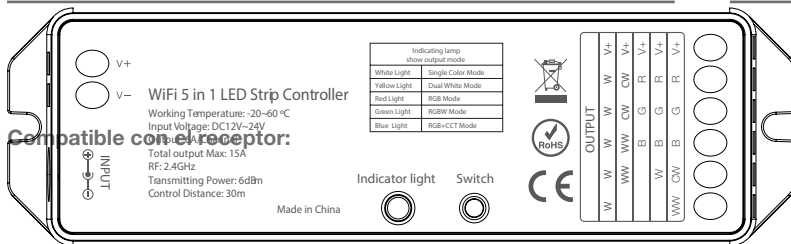
1. The product should be installed by professionals.
2. Before switching on the power, please ensure that all wiring is correct, so as not to cause damage to the devices.
3. In the case of failure, please do not attempt to manipulate without the help of a specialised technician.

Control panel for embedding - 4 zones

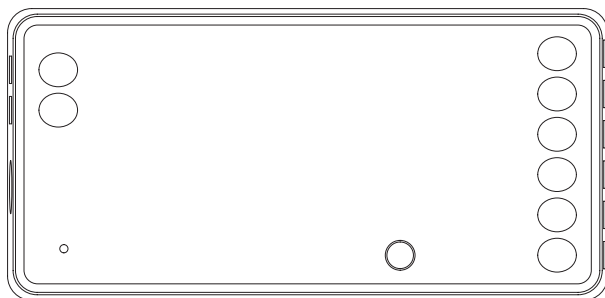


Dimensions and weight

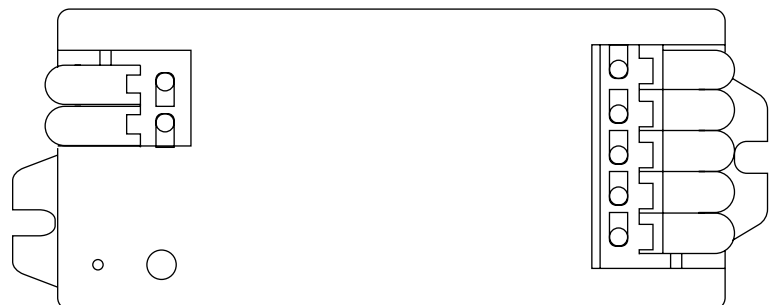
Length	86mm	Height	31mm
Width	86mm	Weight	0,18Kg



41.026



41.130

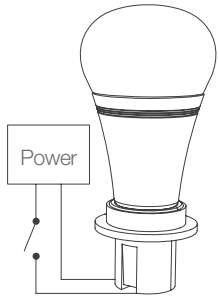


41.131

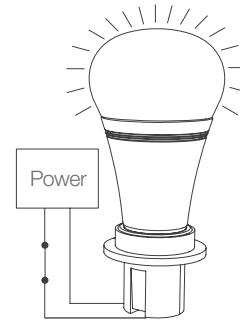
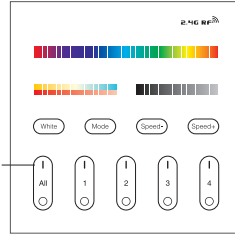
Control panel for embedding - 4 zones

Link / unlink

1. Linking instructions:



Link / unlink button



1. Switch off the light and after 10 seconds switch on again.

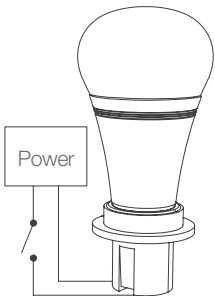
2. When the light is on, short press any zone of "1" 3 times (within 3 seconds), after connection.

3. The light blinks 3 times slowly meaning the linking has been done successfully.

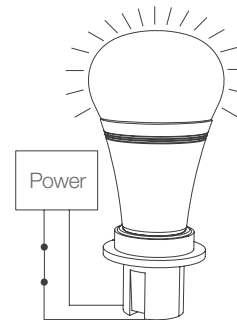
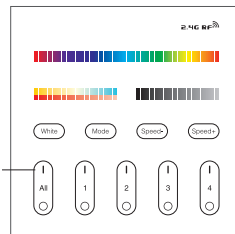


If the light does not blink slowly, the linking has failed. Please switch off the light again and follow the above steps once more

2. Unlink instructions:



Link / unlink button



1. Switch off the light and after 10 seconds switch on again.

2. When the light is on, short press any zone of "1" 5 times (within 3 seconds), after connection.

Unlinking must be the same zone with the linking.

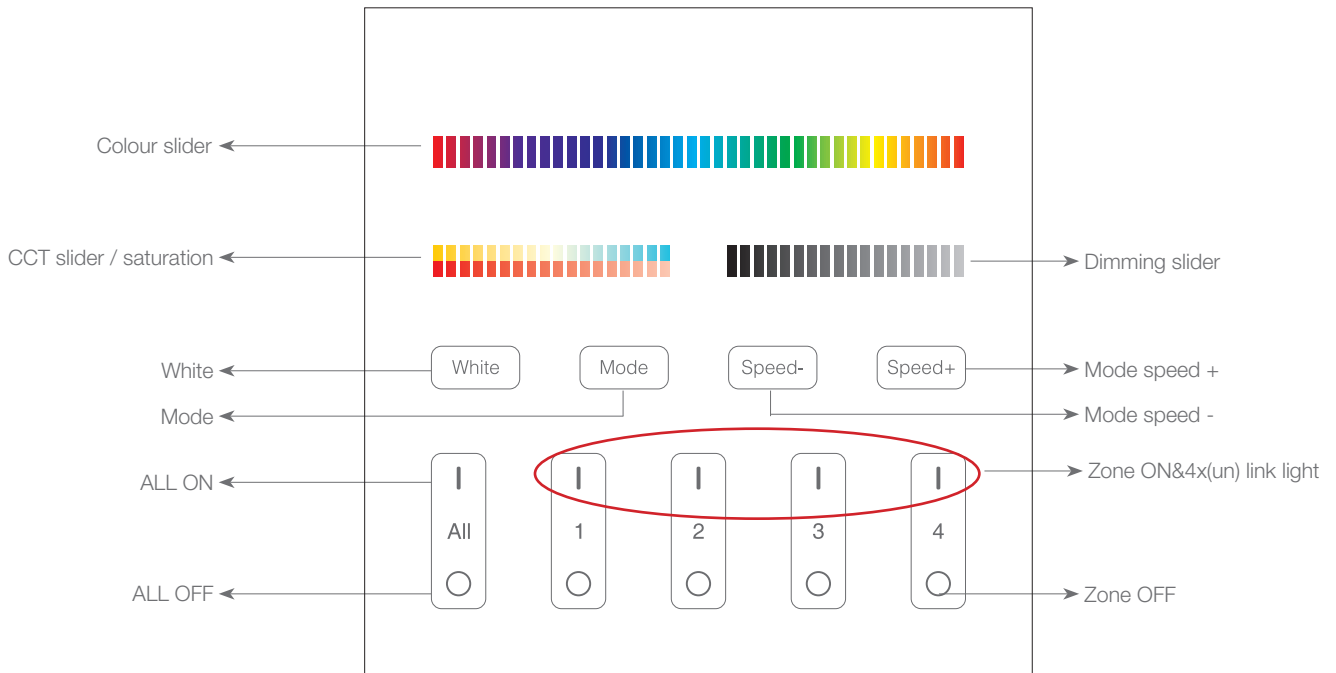
3. The light blinks 10 times slowly meaning the linking as been done successfully.



If the light does not blink slowly, the linking has failed. Please switch off the light again and follow the above steps once more

Control panel for embedding - 4 zones

4-Zone Panel Remote



Button function instruction



Touch colour slider, choose the color you want.



Under white light mode, adjust colour temperature.
Under colour light mode, change colour saturation.



Touch dimming slider to change the brightness from 1~100%.



Touch white button to white light mode.



Switching modes.



Slow the speed on present dynamic mode.



Accelerate the speed on present dynamic mode.



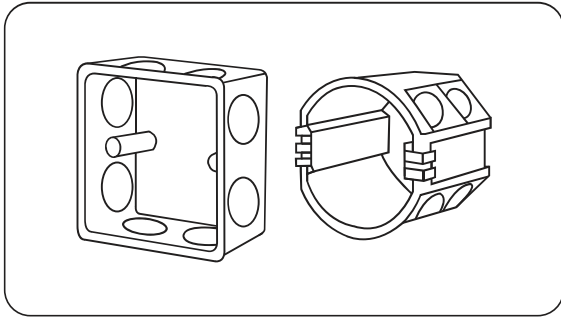
- ALL ON: touch to turn on all linked lights. Long press 5 seconds to turn ON the indicating sound.
- ZONE 1-4 ON: touch zone ON, turn on zone-linked lights.



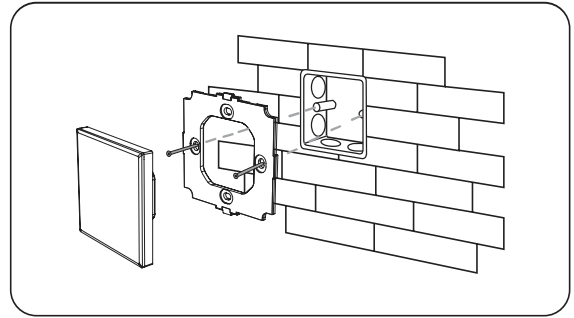
- ALL OFF: touch to turn off all linked lights. Long press 5 seconds to turn OFF the indicating sound.
- ZONE 1-4 OFF: touch zone OFF, turn off zone-linked lights.

Control panel for embedding - 4 zones

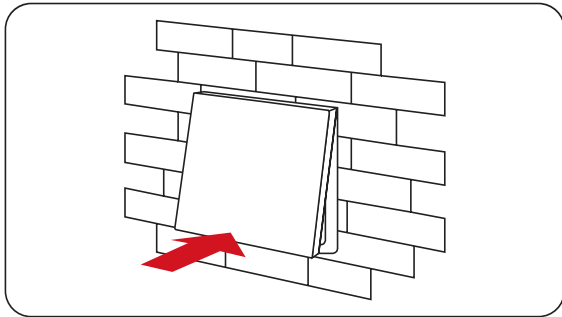
Mounting / unmounting



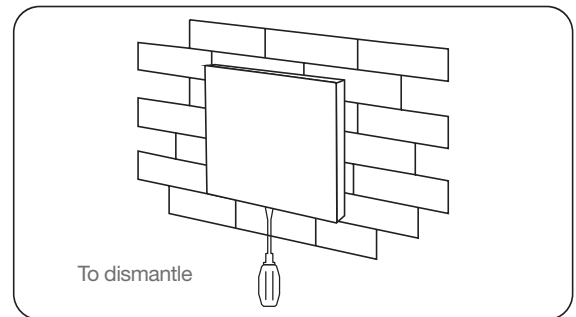
1. Install the box to the wall. Above are the standard boxes.



2. Fix the base on to the box on the wall.



3. Fix the glass panel to the base.



4. Insert the screwdriver carefully under the glass panel and gently push outwards.